

Analytical

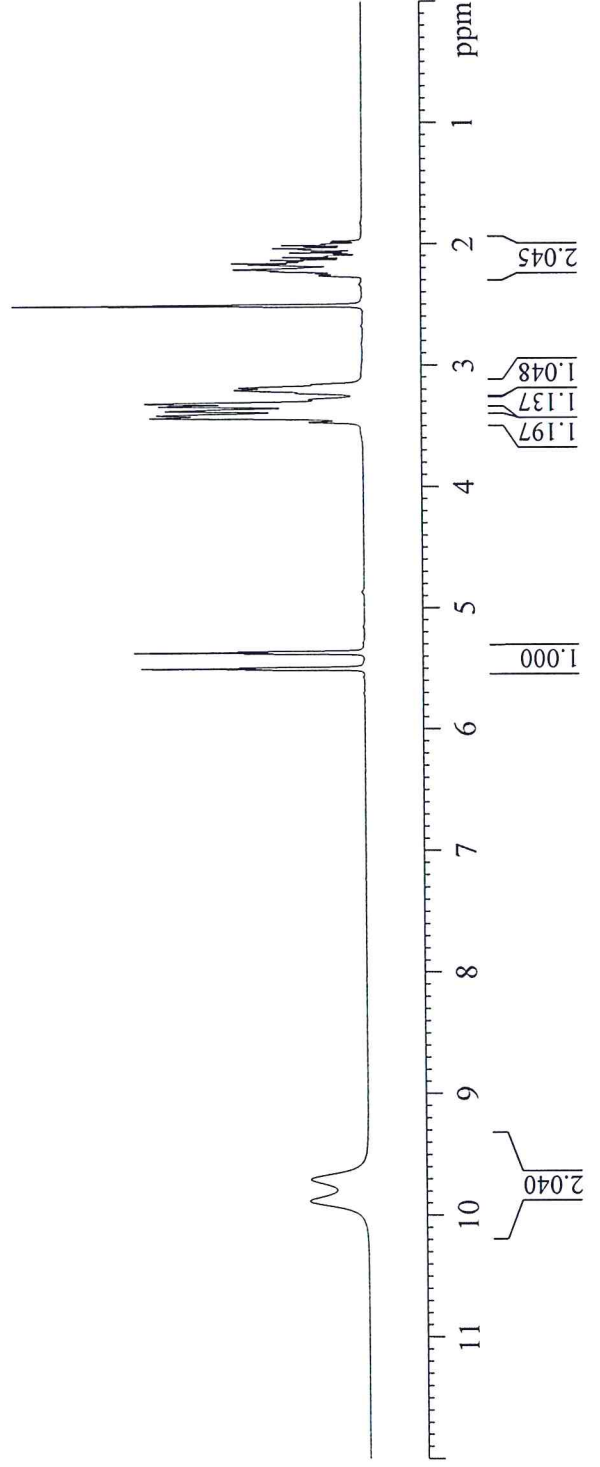


Current Data Parameters
 NAME PB00774-01-190-226-01
 EXPNO 1
 PROCNO 1

F2 - Acquisition Parameters
 Date_ 20150115
 Time 12.11
 INSTRUM spect
 PROBHD 5 mm PABBO BB/
 PULPROG zg30
 TD 65536
 SOLVENT DMSO
 NS 16
 DS 2
 SWH 8223.685 Hz
 FIDRES 0.125483 Hz
 AQ 3.9846387 sec
 RG 181
 DW 60.800 usec
 DE 6.50 usec
 TE 298.2 K
 D1 1.00000000 sec
 TD0 1

CHANNEL f1
 NUC1 1H
 P1 12.66 usec
 PLW1 20.00000000 W
 SFO1 400.1324710 MHz

F2 - Processing parameters
 SI 65536
 SF 400.1300000 MHz
 WDW EM
 SSB 0
 LB 0.30 Hz
 GB 0
 PC 1.00



2:41

PB00774-01-190-226-01_15111234 86 (0.491)

1: Scan ES+
8.89e7

